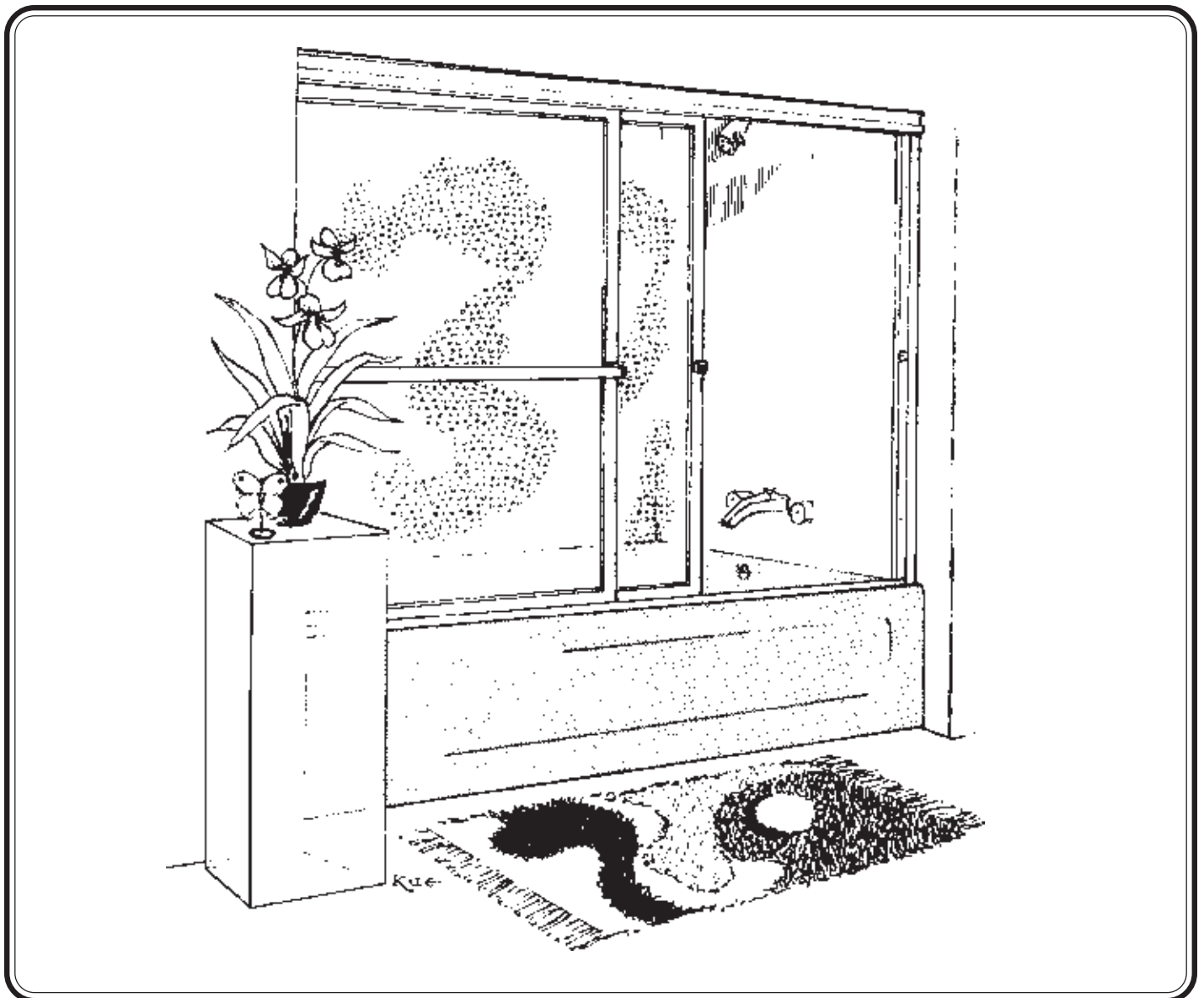




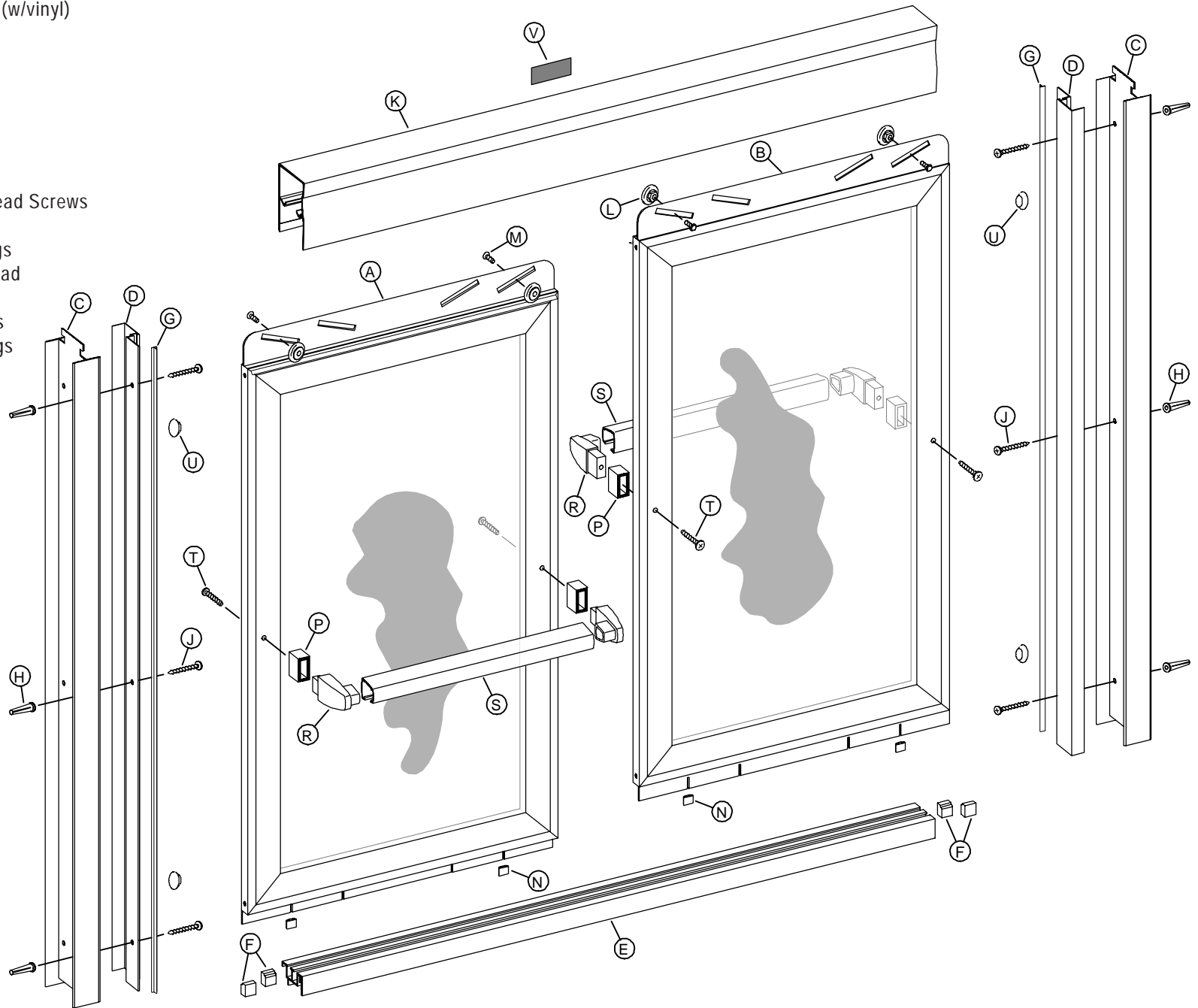
INSTALLATION
INSTRUCTIONS

UNIT No. 2000/3000 FRAMED BYPASS STEAM ENCLOSURE



2000/3000 PARTS LIST

- A. 1 Exterior Door Panel (w/vinyl)
- B. 1 Interior Door Panel
- C. 2 Wall Jamb
- D. 2 Jamb Fillers
- E. 1 Tub Track
- F. 4 Vinyl End Plugs
- G. 2 Jamb Filler Vinyls
- H. 6 Plastic Wall Anchors
- J. 6 #8 x 1 1/2" Truss Head Screws
- K. 1 Header
- L. 4 Nylon Roller Bearings
- M. 4 #8-32 x 3/8" Hex Head Screws
- N. 4 Vinyl Panel Silencers
- P. 4 Towel Bar Trim Rings
- R. 4 Acrylic Towel Bar Brackets
- S. 2 Towel Bars
- T. 4 #10 x 7/8" Truss Head Screws
- U. 4 Black Adhesive Bumpers
- V. 1 Basco Decal



MAINTENANCE: Two primary materials are used to manufacture your new Basco enclosure; tempered glass and anodized aluminum. To assure a long lasting finish on the enclosure, wipe it down with a towel after each use. Never use a scouring agent to clean the aluminum.

For occasional, more concentrated cleaning efforts, we find that **Comet Non-Abrasive Bathroom Cleaner** works extremely well. Be sure that any overspray falling on the aluminum frame is rinsed thoroughly and dried. Many over-the-counter cleaners, if applied to the aluminum and left on, will harm the metal finish and cause permanent damage, even though their directions indicate safe use on shower doors.

INSTALLATION NOTES: Unpack your unit carefully and inspect for freight damage. Lay out and identify all parts using the instruction sheet as a reference. Before discarding the carton, check for small hardware bags that tend to fall to the bottom of the box. If any parts are damaged or missing, refer to the descriptions noted in the instructions when contacting your dealer for replacements.

Handle glazed panels carefully and protect the edges. Safety tempered glass is very resistant to breakage, but the sharp corners of the panels can damage tile and floor surfaces.

Please wear safety glasses whenever drilling or cutting. When drilling holes in ceramic tile or marble, use a center punch and hammer to carefully break the surface glaze so the drill can start without skidding.

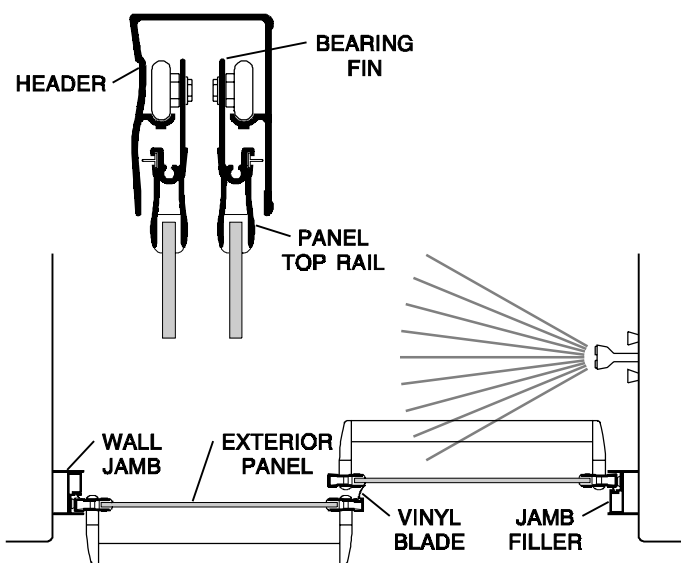
To install your Basco Bath Enclosure you will need the following: tape measure, level, #2 Phillips screwdriver, flat screwdriver, drill, 1/8", 7/64" and 3/16" drill bits, hacksaw, pencil, and caulking (clear silicone recommended). Optional tools include a miter box for cutting parts to length, files, center punch and masking tape.

NOTE: Before beginning installation, check the tub rim for level and both walls for plumb. If either are off more than 1/4" to 3/8", you may want to contact your dealer for tapered fillers which can be used to level the tub track or plumb the wall jambs.

1

On the Basco 2000/3000 Bypass Steam Enclosure the exterior door panel [A] has a sealing vinyl blade in one vertical rail. With both doors in the closed position this vertical vinyl blade should face to the interior and seal against the interior door panel [B]. The door panel top bearing fins should be close together. Look at both door panels, the wall jambs [C] and the jamb fillers [D] and determine their proper orientation as shown in the illustration.

NOTE: Obscure glass doors should be installed with the rough surface of the glass to the exterior of the unit. Deco or etched glass doors should be installed with the patterned surface to the inside.



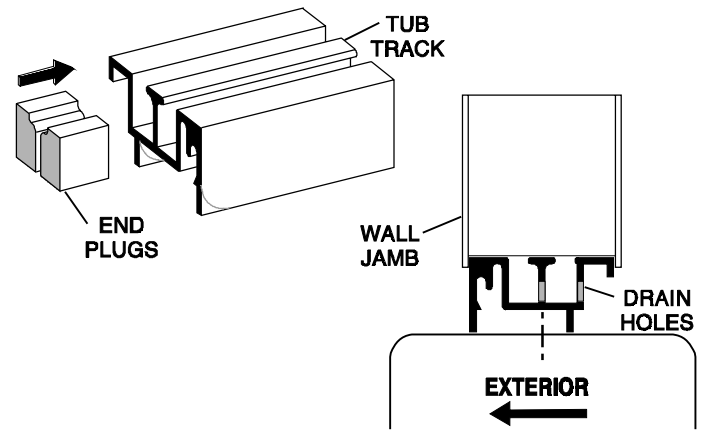
2

Measure the wall-to-wall opening at the center of the tub rim. Cut the tub track [E] 1/16" short of this dimension. An inexpensive miter box (available at your local hardware store) will help you get clean square cuts.

Press the four vinyl end plugs [F] into the ends of the tub track.

Position the tub track in the center of the tub rim with the drain holes to the interior. Masking tape can be used to hold the parts in place temporarily.

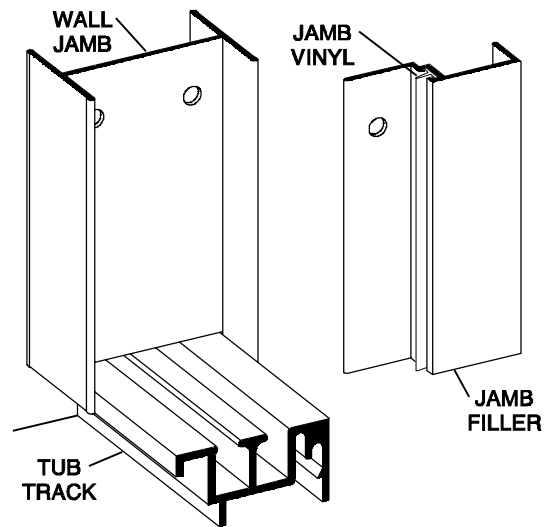
NOTE: It may be necessary to file a radius on the ends of the tub track to match the corners of the enclosure.



3

Slide the two pieces of jamb vinyl [G] into the vinyl slots on the jamb fillers [D]. Trim to length and secure with a small amount of glue or caulk at one end.

Press a wall jamb [C] into position over one end of the tub track [E]. Press a jamb filler into the wall jamb until the pre-drilled holes line up and with the pocket oriented per Step #1. Repeat for the other wall jamb and jamb filler.

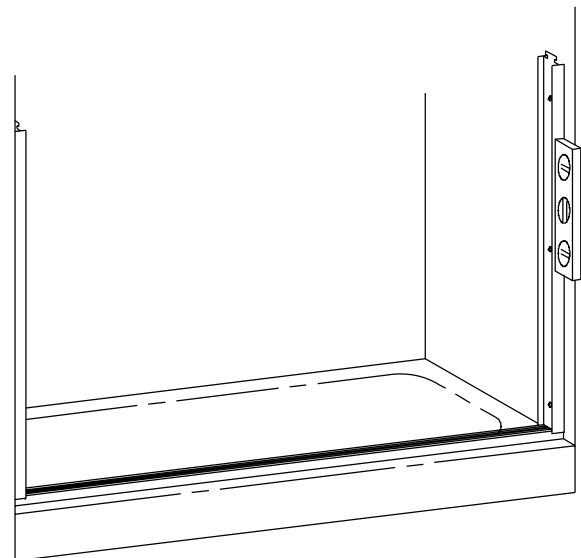


4

Use a level to plumb both wall jambs [C], then mark the pre-drilled hole locations on the wall. Lightly mark along both sides of the tub track [E] with a pencil, then remove all parts.

For tile or marble walls, drill six 3/16" diameter holes and insert the plastic wall anchors [H]. Attachments to fiberglass or acrylic units can be made in two ways. If a reinforcement is built into the wall of unit, drill six 1/8" holes to install mounting screws directly into the reinforcement. If walls are not reinforced, drill six 3/16" holes and install plastic wall anchors or toggle bolts (toggle bolts not supplied by Basco).

CAUTION: The tub track should never be screwed to the tub. This will damage the tub and cause leakage.

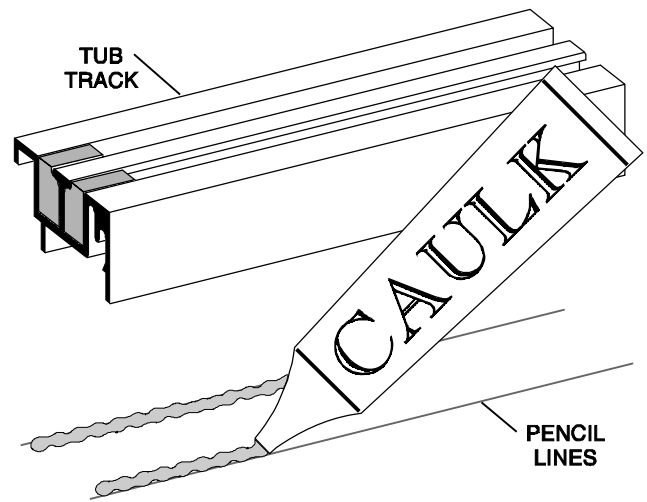


5

Run two beads of caulk inside the penciled marks on the tub rim.

Before replacing the tub track [E], force a slight downward bow in the extrusion. This will ensure the track fits tight to the tub. Place the tub track in the exact position marked in Step #4 and seat it firmly in the caulking

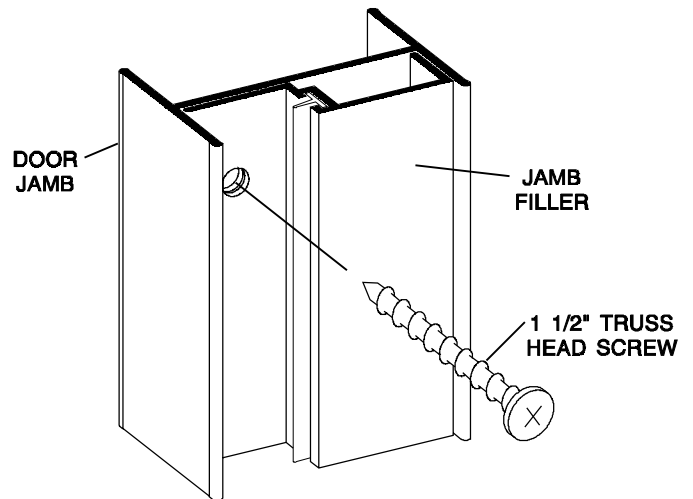
NOTE: Improper caulking will result in leaks.



6

Replace one wall jamb [C] and jamb filler [D] attach to wall with three #8 x 1 1/2" truss head screws [J] inserted through the pre-drilled holes. Check the jamb for plumb and tighten screws.

NOTE: Do not overtighten the jamb screws.

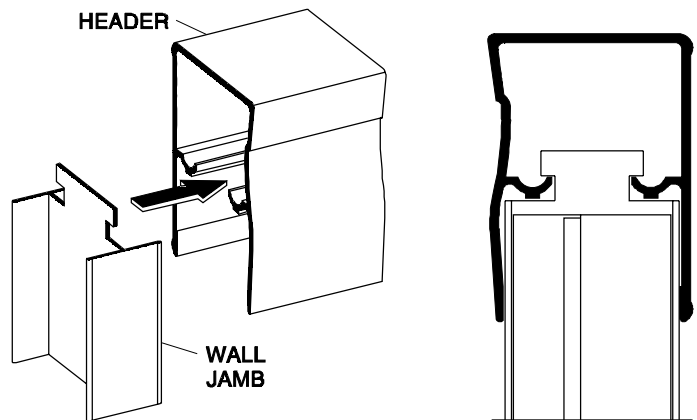


7

This bath enclosure is equipped with safety tee-lock wall jambs. When properly installed, the header is permanently locked to the wall jambs and cannot be accidentally dislodged.

Measure the wall-to-wall opening at the top of the wall jambs [C] and cut the header [K] 1/16" short of this dimension. Check the header for fit.

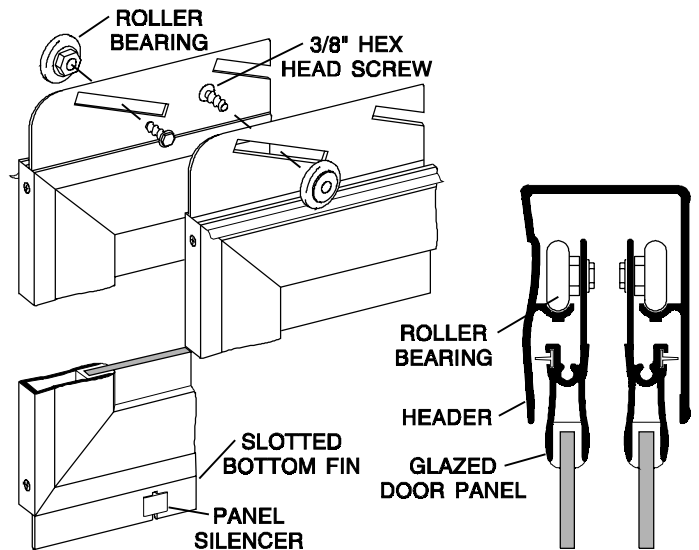
Slide the safety tee-lock of the unmounted wall jamb into the end of the header. Holding the header at an angle, engage the other end onto the mounted wall jamb. Pivot the header into place, then slide the loose wall jamb to the wall and press into position on the tub track. Press the other jamb filler [D] into the wall jamb per Step #3 and attach to the wall per the instructions in Step #6.



8

Attach the four nylon roller bearings [L] to the door panels as shown, using #8-32 x 3/8" hex head screws [M] centered in the outside slots in the top bearing fins.

Press the four vinyl silencers [N] into the slots in the fins on the bottoms of both panels (see exploded view on Page#3).



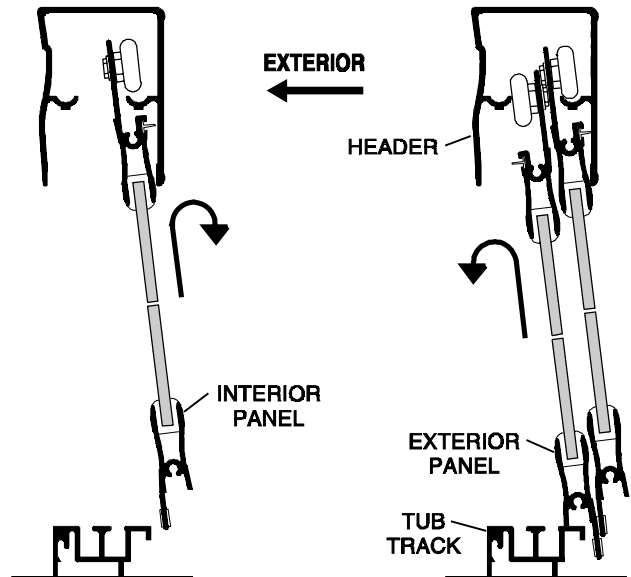
9

Lift the interior panel [B] into position with the rollers [L] engaging the roller slot in the header [K].

Repeat for the exterior panel [A].

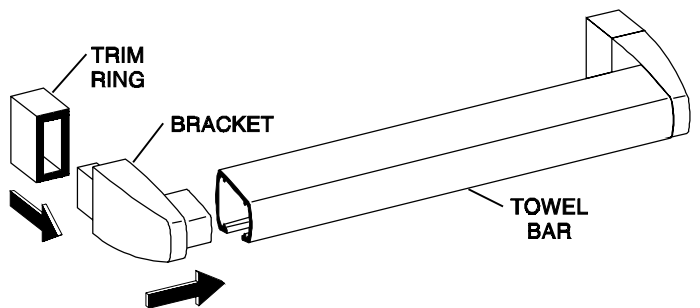
If the door panels are not aligned with each other and parallel to the wall jambs, remove them from the header and adjust the rollers up or down to compensate.

NOTE: The vertical vinyl wiper blade of the interior panel should seal against the exterior panel when both panels are in a closed position.



10

Slide the four towel bar trim rings [P] over the clear acrylic towel bar brackets [R] and press the brackets into the ends of the two towel bars [S].

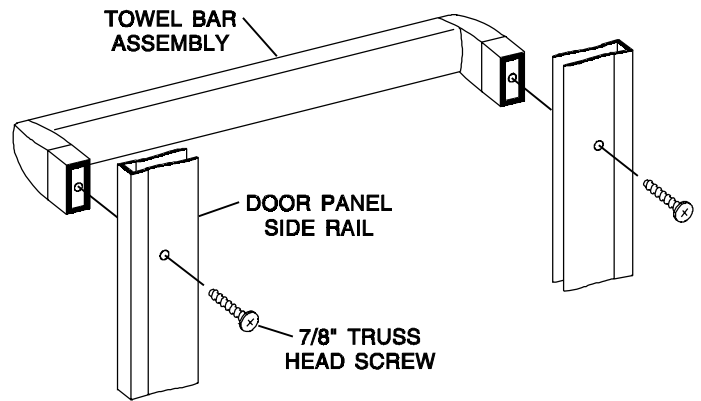


11

Attach one of the towel bar assemblies (with the open slot in the bar downward) to the interior panel [B] with two #10-24 x 7/8" truss head screws [T] thru the rails.

Repeat for the exterior door panel [A] and the other towel bar assembly.

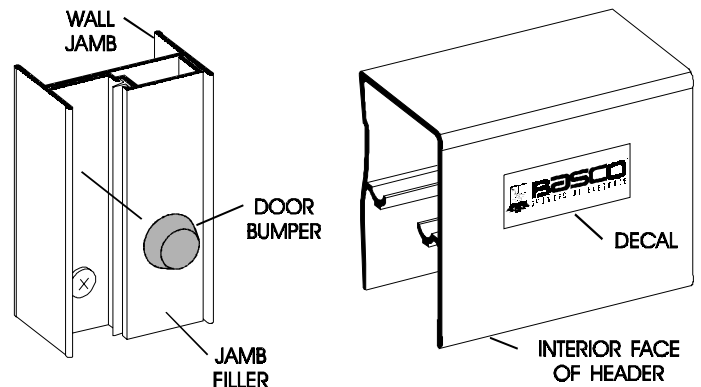
NOTE: Do not overtighten the towel bar screws.



12

Peel and stick two black adhesive bumpers [U] into the recessed pocket of a jamb filler [D] approximately 6" from each end. Repeat for the other jamb filler.

Peel the backing from the Basco decal [V] and attach it to the middle of the interior surface of the header [K].



13

Caulk both ends of the tub track [E] where it meets the wall jambs [C] as shown. Run a bead of caulking along the interior edge of the tub track and both wall jambs.

NOTE: We recommend that you let the caulk cure for 24 hours before using your new enclosure.

