

# RODA BY BASCO

## 900 RODA

WALL MOUNT HINGES

FRAMELESS DOOR



INSTALLATION INSTRUCTIONS



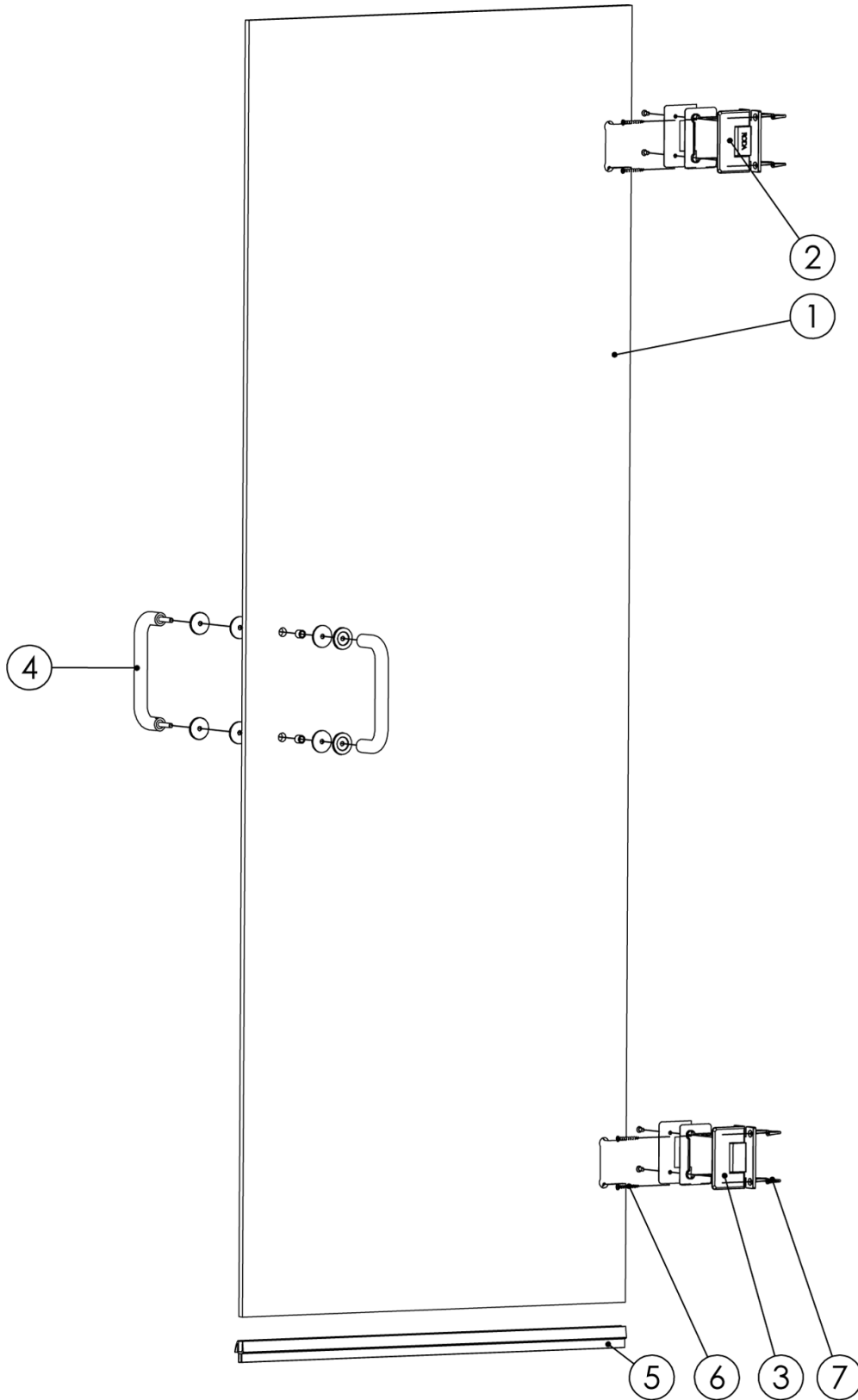
CELESTA  
DRESDEN  
GEOLUX  
TRESOR  
VONSE

## 900 Roda Parts List with wall mount hinges

ITEM NO.	DESCRIPTION	QTY.
1	GLASS DOOR	1
2	RODA ETCHED WALL MOUNT HINGE	1
3	WALL MOUNT HINGE	1
4	PULL	1
5	VINYL BOTTOM SWEEP	1
6	#8 x 1 1/2 TRUSS HEAD SCREW	1
7	PLASTIC WALL ANCHOR	1

\*Quantities may vary

# 900 Roda Exploded View with wall mount hinges



## Tools:

To install your Roda Shower Enclosure, you will need the following:

- Pencil
- Low Tack Masking Tape
- Tape Measure
- 4' & 6' Levels
- #2 Phillips Screwdriver
- Drill
- 3/16" - 1/4" Drill Bit
- Hack Saw
- Caulk (Clear Silicone Recommended)
- Caulk Gun
- Suction Cups
- Center Punch (if drilling into tile)
- Files

## Installation Notes:

This unit is best installed by two people.

Cover the drain with tape prior to installation to prevent loss of small parts.

Unpack your unit carefully and inspect for freight damage. Lay out and identify all parts using the instruction sheet as a reference. Before discarding the carton, check to see that no small hardware parts have fallen to the bottom of the box. If any parts are damaged or missing, refer to the description noted in the instructions when contacting your dealer for replacements.

Handle the glass panels carefully and protect the edges. Safety tempered glass is very resistant to breakage, but the sharp corners of the panels can damage tile and flooring surfaces. Also, the glass can break if unequal pressure is applied during installation.

Please wear safety glasses whenever drilling or cutting. When drilling holes in ceramic tile or marble, use a center punch and hammer to carefully break the glazed surface to prevent skidding when drilling.

## Maintenance:

Two primary materials are used to manufacture your new Basco shower enclosure: tempered glass and anodized aluminum. To assure a long lasting finish on the enclosure, wipe it down with a towel after each use.

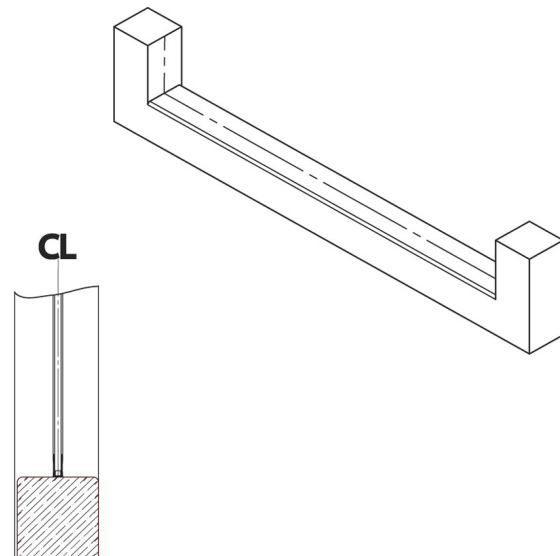
For occasional, more concentrated cleaning efforts, we find that **Lysol Non-Abrasive Bathroom Cleaner** works extremely well. Be sure that any over spray falling on the aluminum frame is rinsed thoroughly and dried. Many over-the-counter cleaners, if applied to the aluminum and left on, will harm the metal finish and cause permanent damage even though their directions indicate safe use on shower doors. Never use a scouring agent to clean the aluminum.

**NOTE:** Tempered glass cannot be cut.

If a continuous unit centerline does not exist from the original measuring process, it will be necessary to create one. Referencing the Measuring Guide included with this unit, lightly mark a continuous unit centerline on the threshold.

Next, mark a continuous unit centerline up each wall, starting where the threshold centerline meets the wall. Use a level to ensure the wall centerline is plumb and straight. The wall centerlines should be a minimum of 74" high from the threshold.

**Note:** Centerline (CL) is a term used to describe the center or mid-point of the unit. The position of the unit centerline can be located anywhere in the width of the threshold, as long as adequate structure exists beneath the centerline for fastening and the outer edges of the unit will not overhang the threshold. The most common unit centerline position is the middle of the threshold.



Unit Cross Section

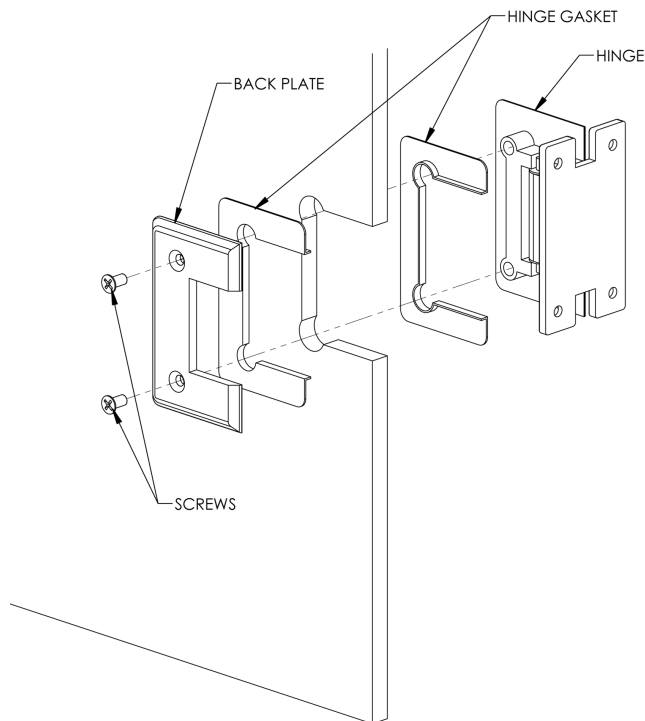
**Note:** It is extremely important the unit centerline be continuous and straight to ensure proper installation.

Using alcohol pads, wipe down the hinge notches and notch gasket areas on the Door Panel Glass. Allow glass to dry before continuing.

Remove the back plates from both Wall Mount Hinges. Place a gasket on the Hinge and place the fixed part of hinge onto the Fixed Panel Glass.

**Note:** The Hinge with the logo must be the top Hinge.

Next, place another gasket against the glass and attach the back plate with the screw provided. Repeat on both Fixed Panel Glass notches and open the hinges outward.



**NOTE:** Your hinges may differ in external shape than what's shown. However, installation procedures are the same.

Place two 7/16" shims on the curb or threshold. These shims must remain in place throughout the installation process.

One person must position themselves inside the shower, and have an assistant on the outside. Together, lift the Door Panel Glass into the opening and set the panel on the shims. Align the panel on the threshold and wall centerlines.

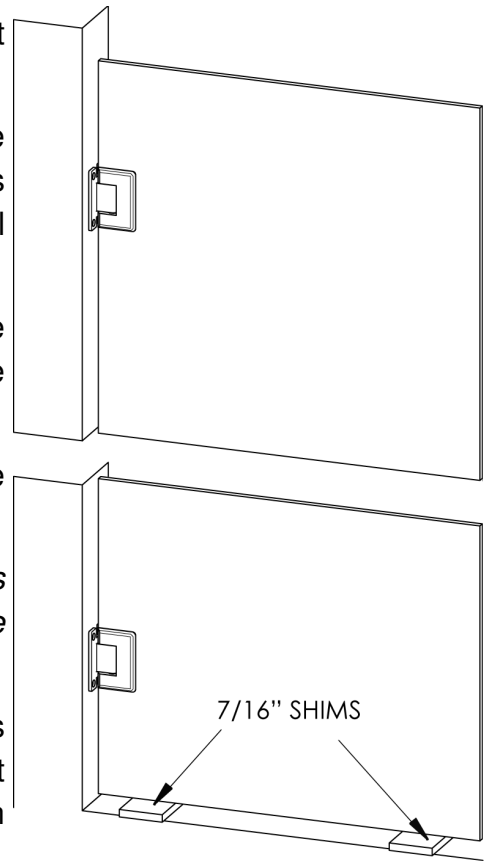
Once the door is positioned, set a 3/16" clearance between the Door Panel Glass the wall. The door must be plumb to allow the hinge pins to align with one another.

With the door panel aligned and plumbed, mark the mounting hole locations for both wall mount hinges.

*NOTE: For French Doors, each door should be positioned at this point before continuing. There should be a 3/16" gap between the doors, and the doors should be in-line w/ each other.*

Remove the Door Panel Glass from the opening. Use the marks as a guide and drill 3/16" holes 1-1/2" deep. Place a small amount of silicone sealant into each hole. Insert a Wall Anchor into each hole. Trim the head off each Wall Anchor to allow flush mounting. Repeat with the other Wall Mount Hinge.

Carefully move the Door Panel Glass back into the opening. Align the hinges with pre-drilled holes and carefully secure with the provided screws.



**Note: The screws may begin to “creak” when fully tightened.**

**Carefully and slowly close the door and inspect the door panel gaps for interference.**

**Do not force door closed.**

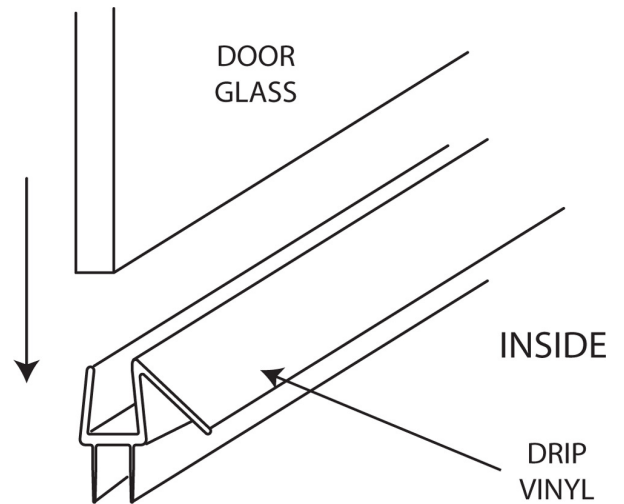
If interference exists, hinges can be loosened to adjust gaps. The gap should be 3/16" on each side of the door; 7/16" between the door and threshold at the highest point. Re-tighten all screws after final adjustment. If a hinge is scratched in the tightening process touch up paint may be used.

Place the Drip Vinyl onto the bottom of the door panel. Line it up on the hinge side of the door and cut it off flush with the strike edge of the door.

**NOTE: The sweep may be pulled up or down on the glass to adjust how much of the sweep contacts the threshold**

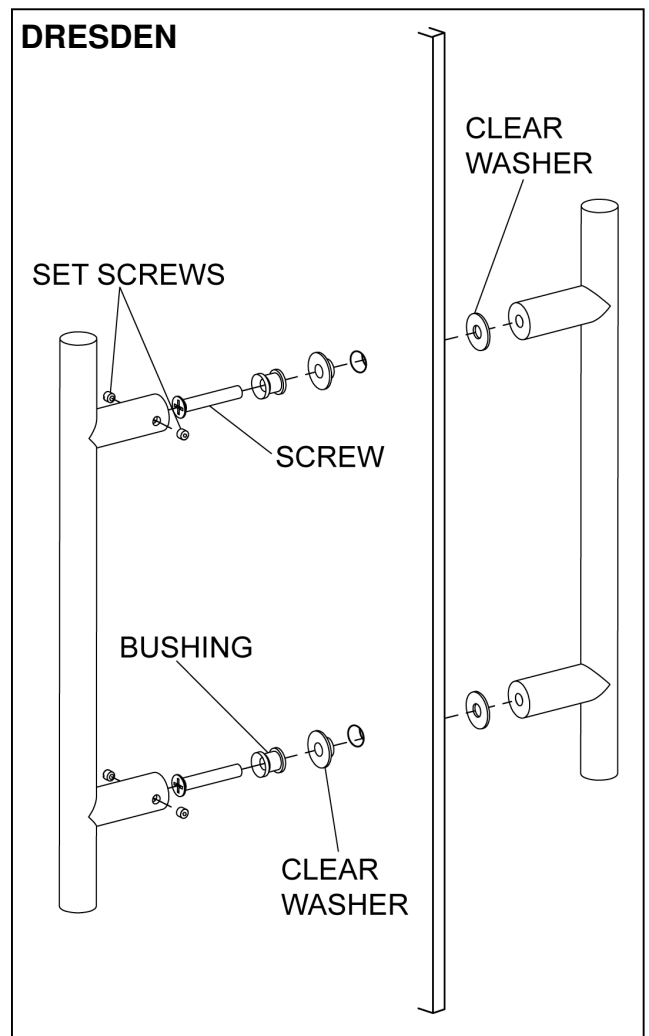
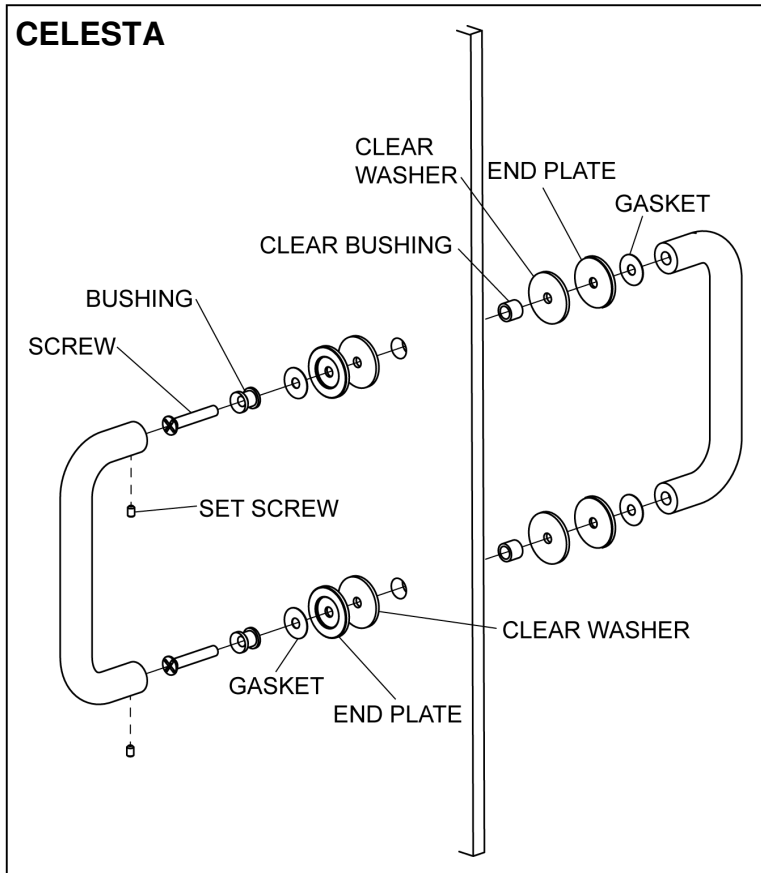
**TIP: Run a small bead of silicone between the drip vinyl and the glass to secure the vinyl sweep and prevent water from collecting inside the sweep if adjusted.**

**NOTE: DO NOT USE the shower until the silicone is completely cured. Check the tube of silicone for the manufacturer recommended cure time (typically 24 - 48 hours).**



## Installing Handles:

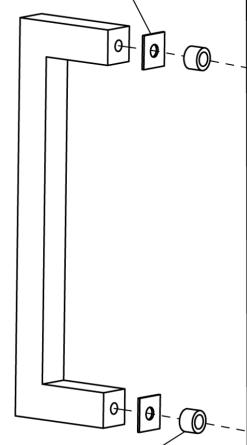
Assemble parts as shown. Screw washers, end plates, and gaskets into one side of the handle through the glass. Then align the other side of the handle onto the bushing and tighten the set screws.



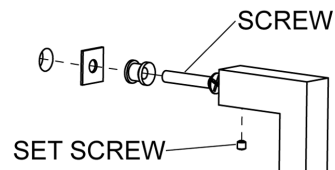


# GEOLUX

CLEAR WASHER



CLEAR BUSHING



SCREW

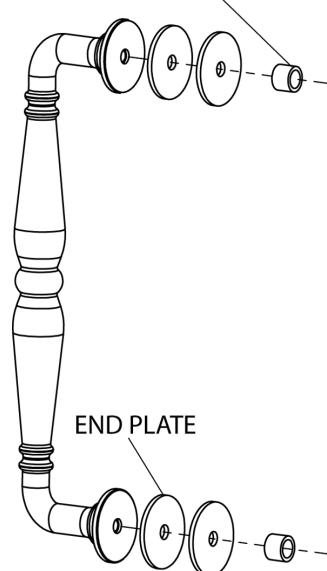
SET SCREW

BUSHING

CLEAR WASHER

# TRESOR

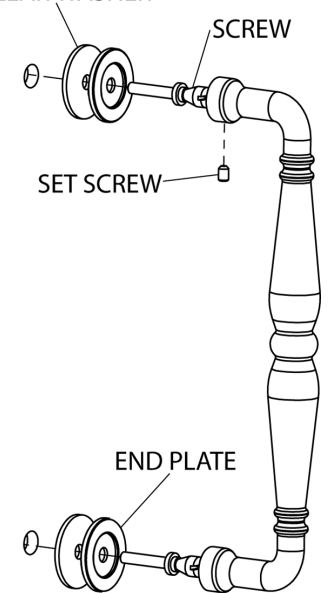
CLEAR BUSHING



END PLATE

CLEAR WASHER

CLEAR WASHER

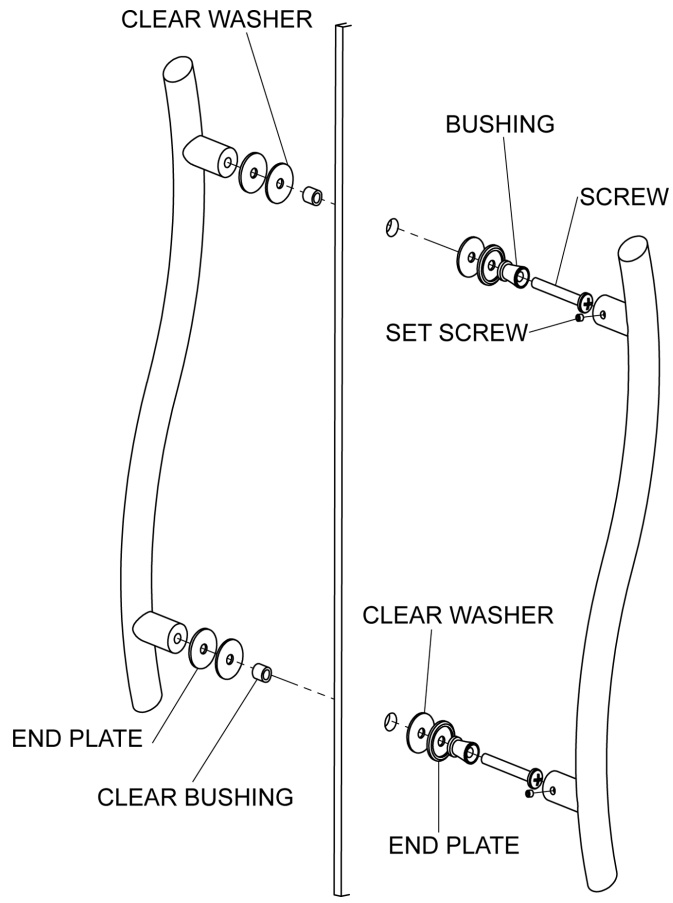


SCREW

SET SCREW

END PLATE

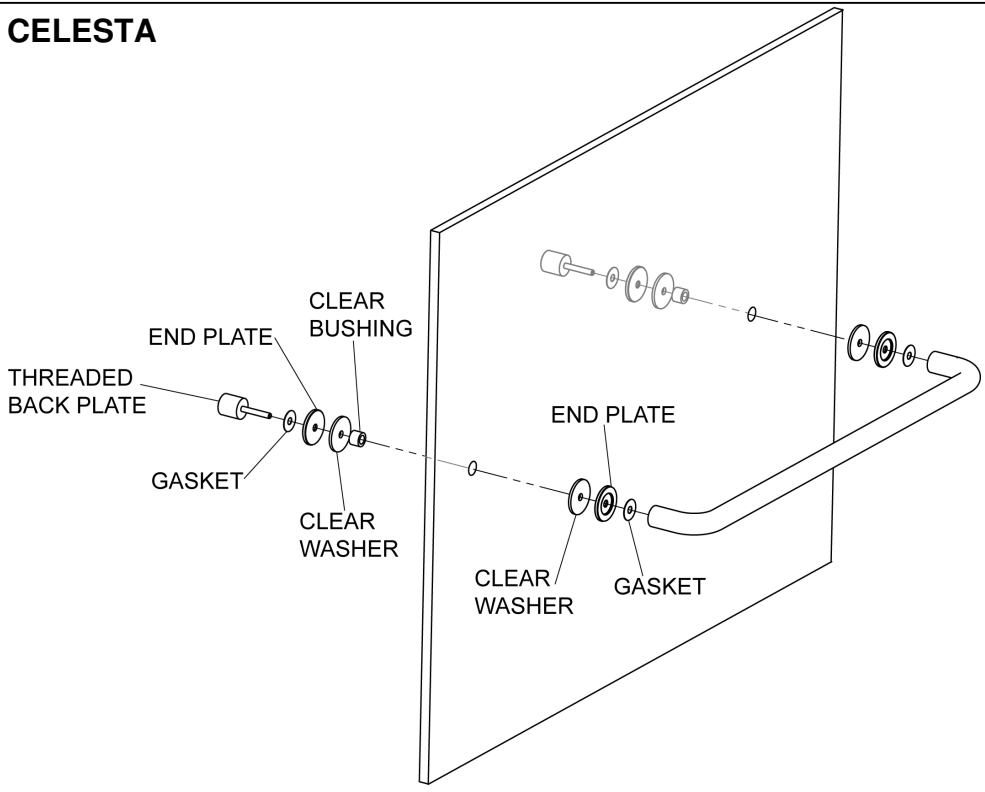
**VONSE**



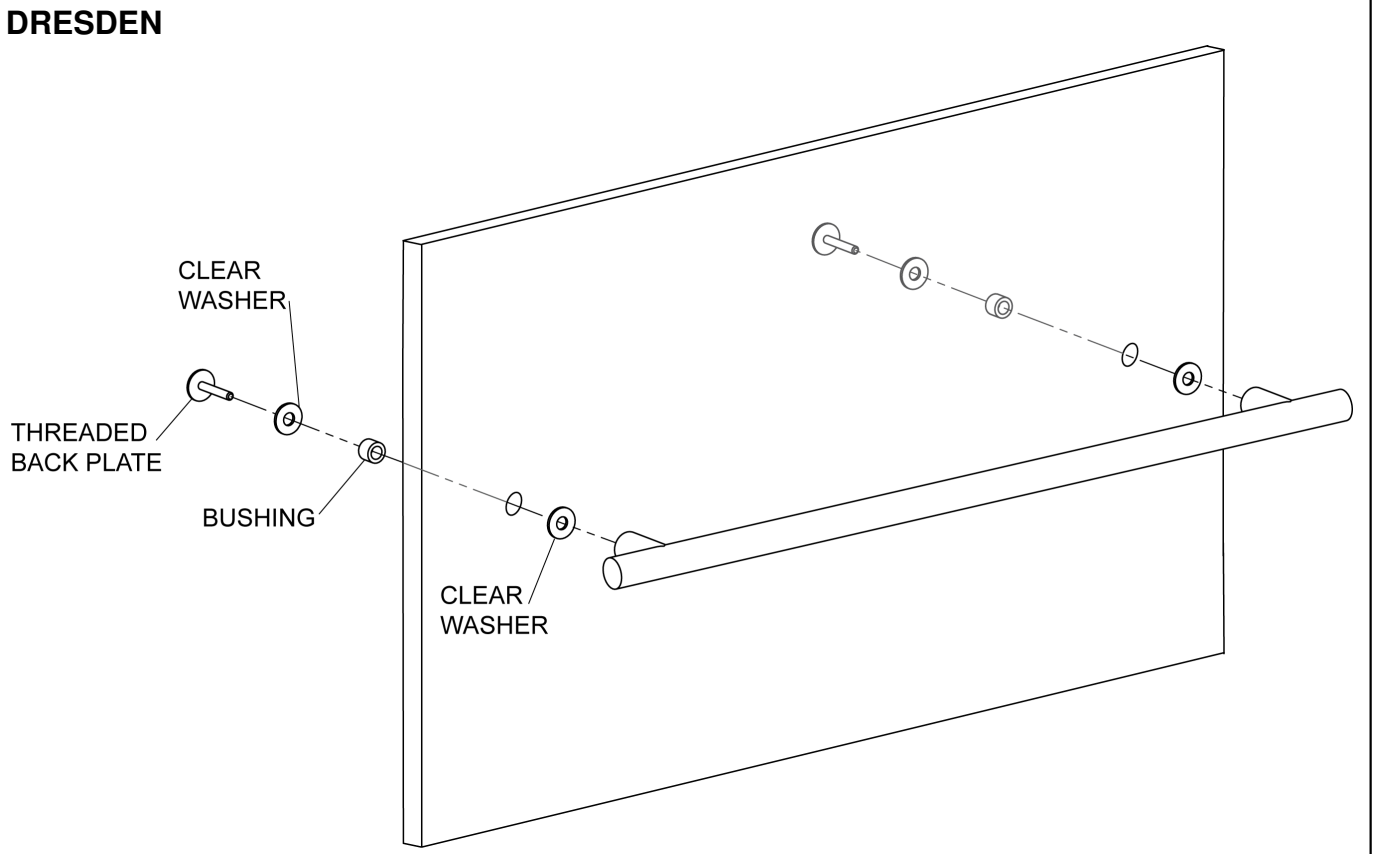
## Installing Towel Bars:

Assemble parts as shown. Screw the threaded back plate or screw into the towel bar holding the washers, end plates, and gaskets in place. Align other side of towel bar on opposite side of glass and tighten set screws

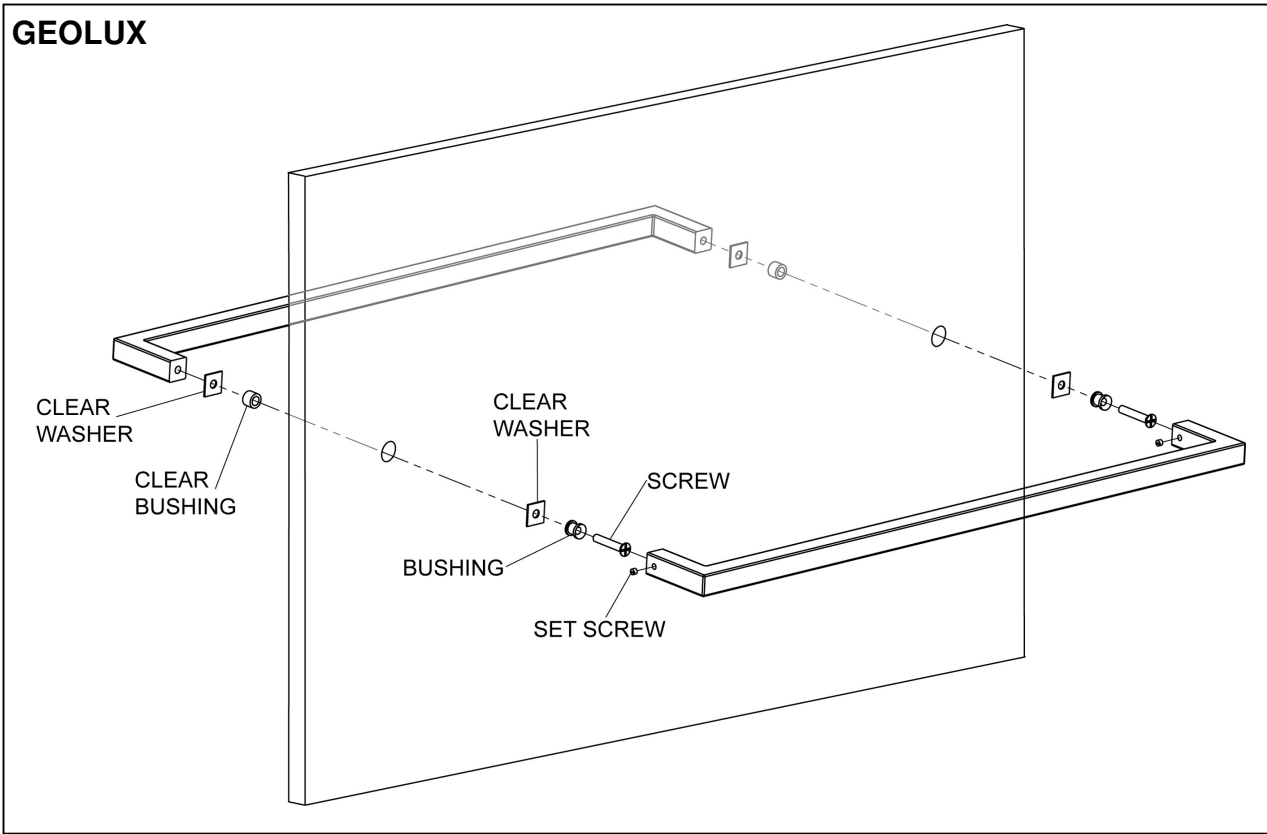
### CELESTA



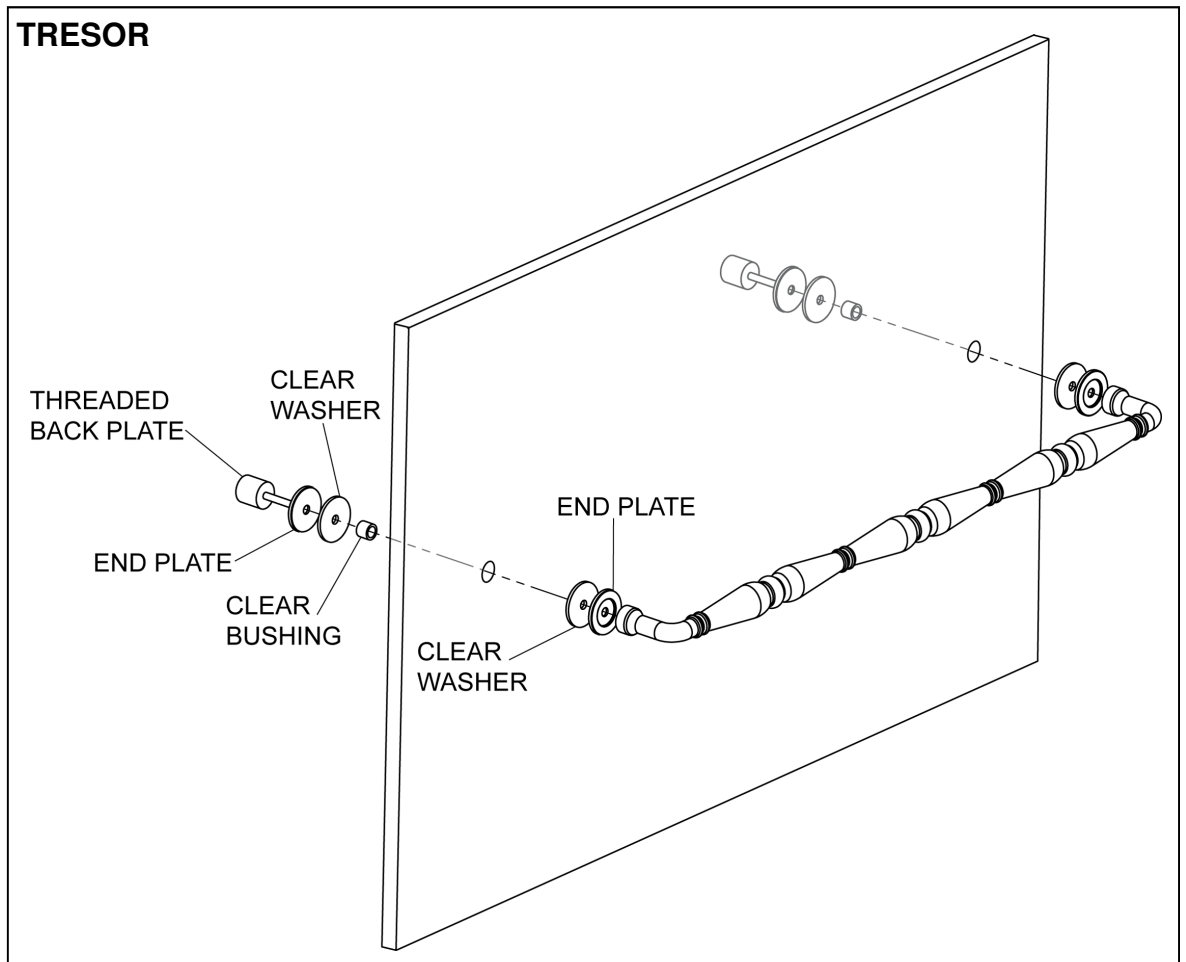
### DRESDEN



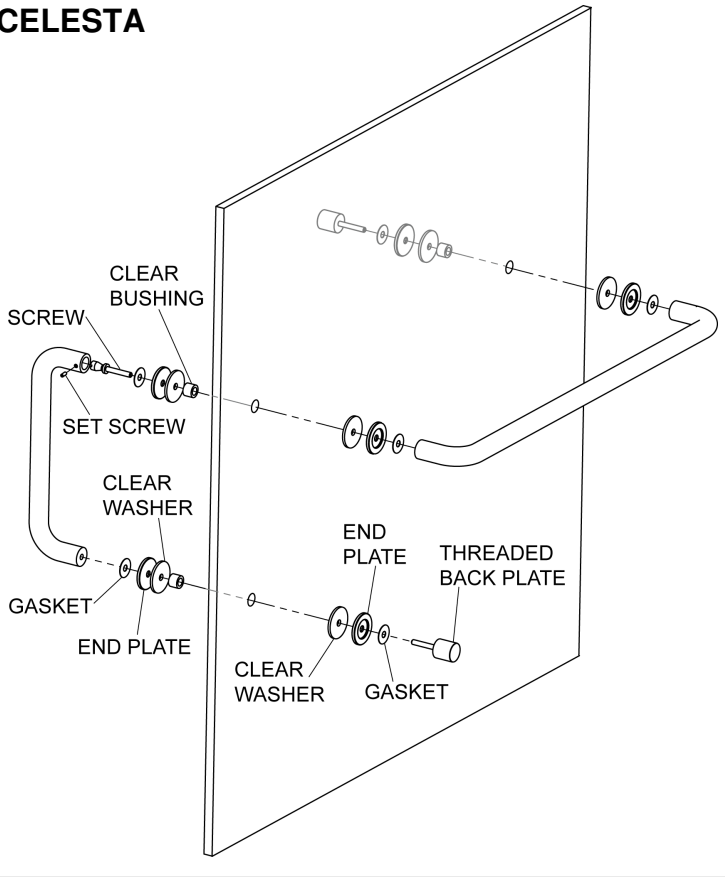
# GEOLUX



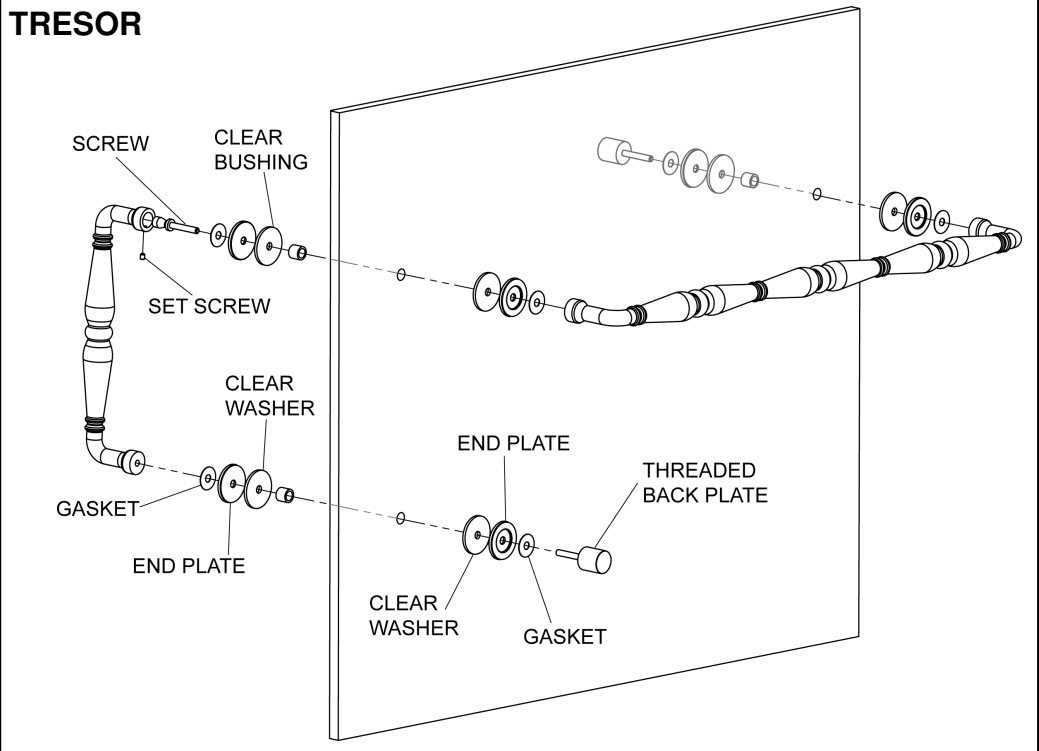
# TRESOR



# CELESTA

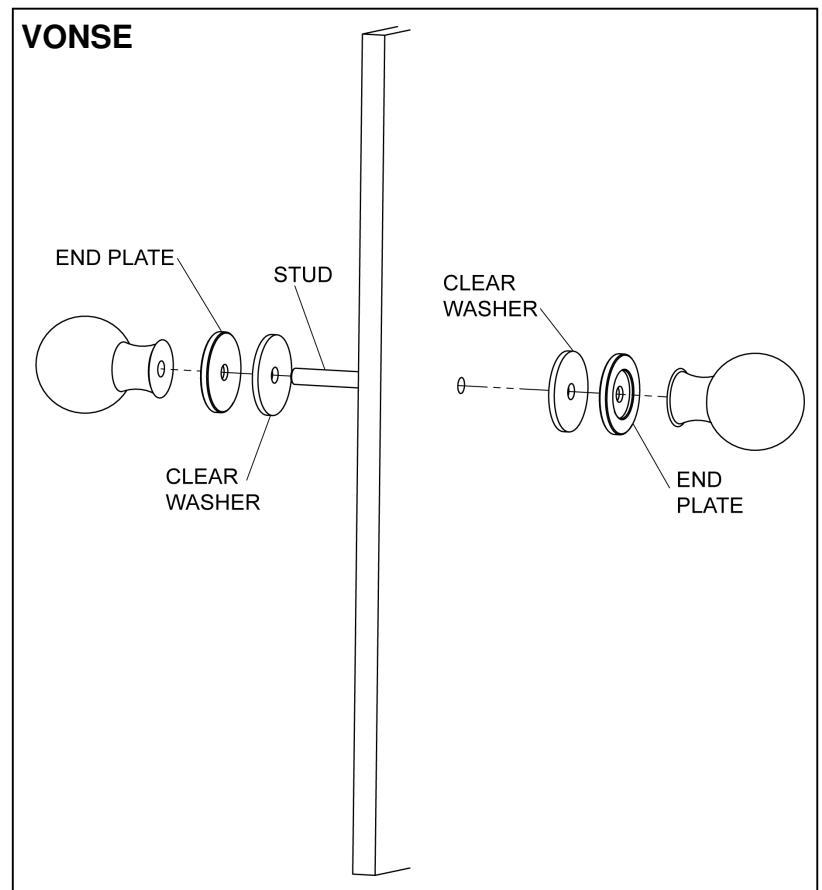
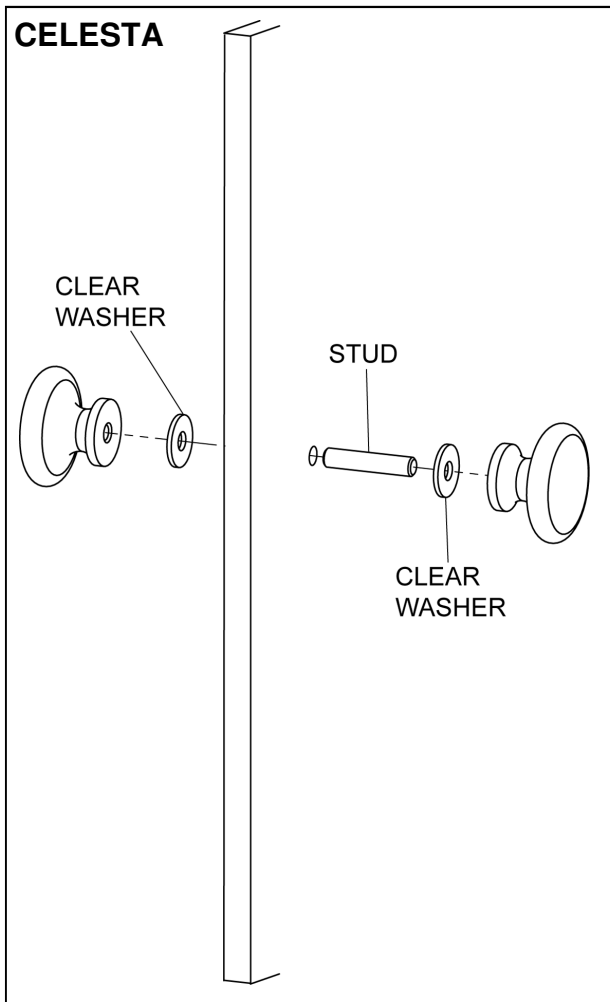


# TRESOR

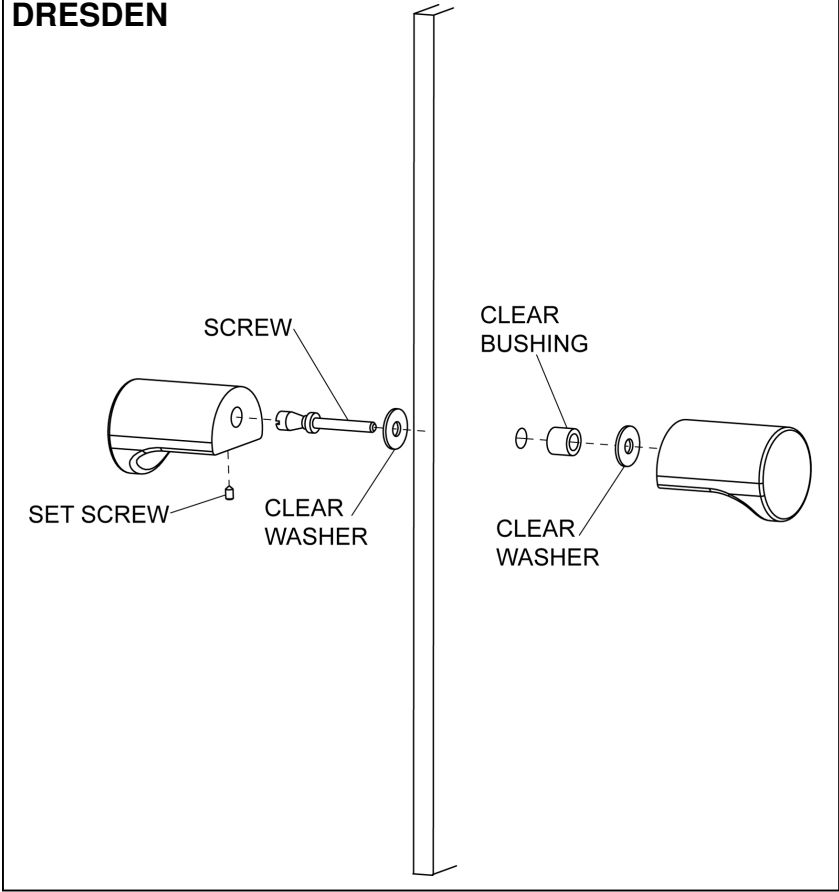


## Installing Knobs:

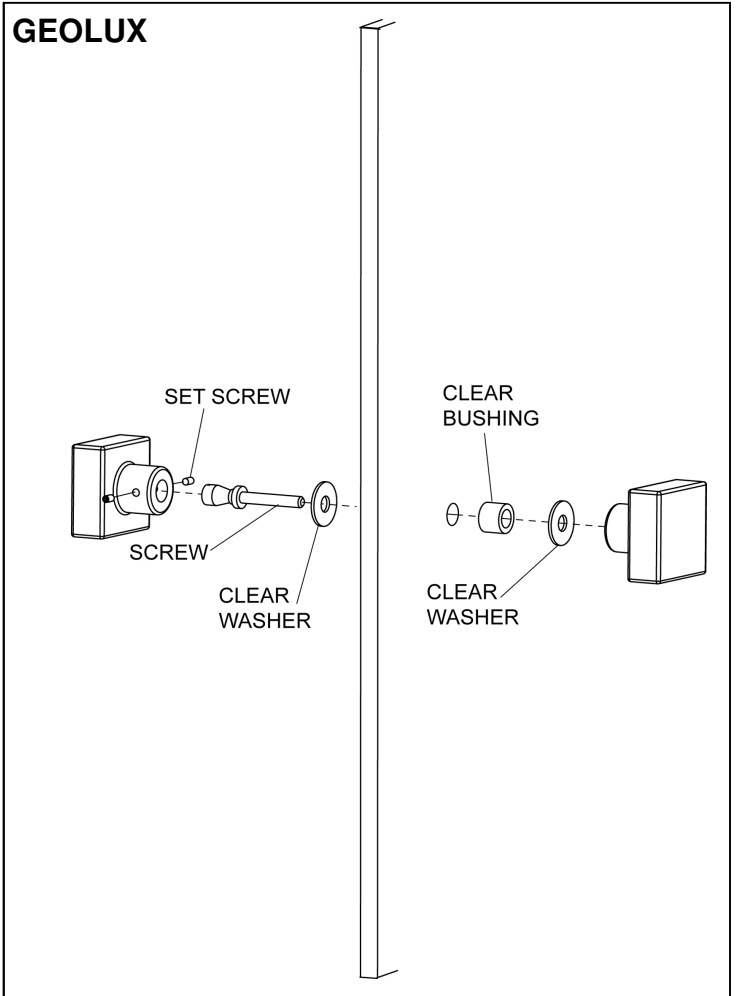
Assemble parts as shown. Tighten each side of the knob onto the stud or tighten one side with screw and place other side on opposite side of glass and tighten with set screws.



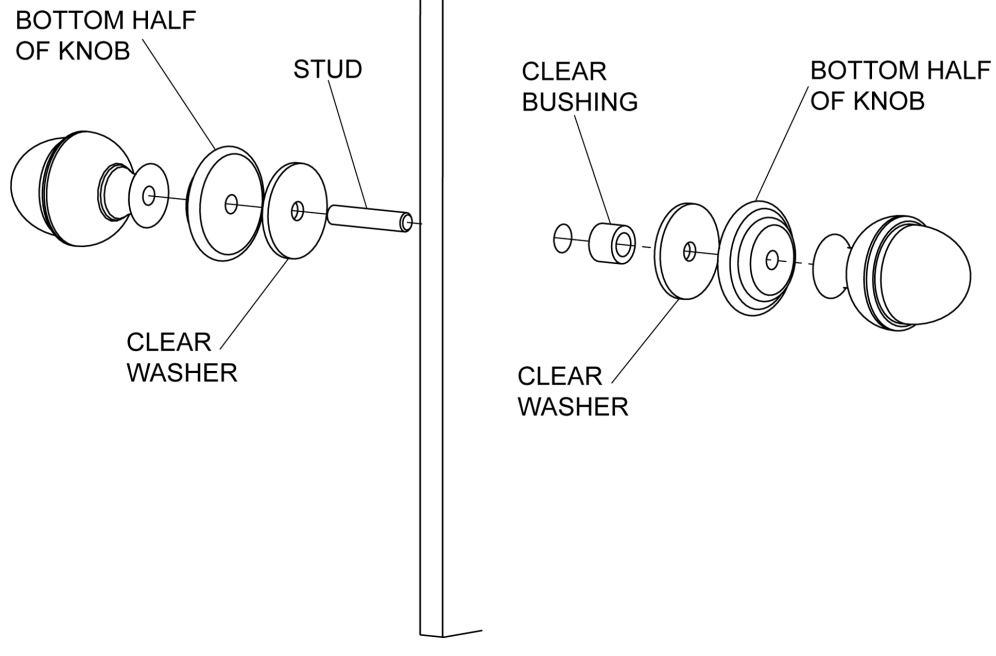
# DRESDEN



# GEOLUX



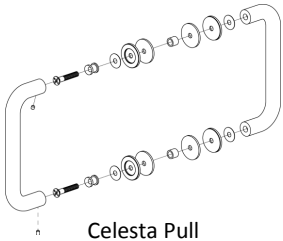
**TRESOR**



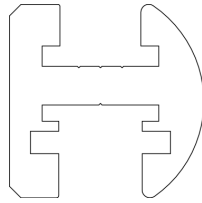


# Parts Sheet for All Families

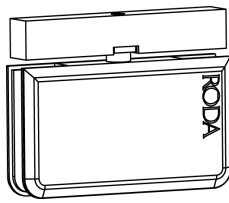
## CELESTA



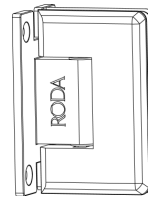
Celesta Pull



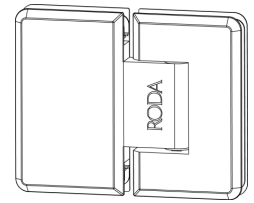
Celesta Header



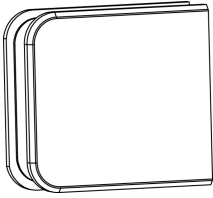
Celesta Pivot Hinge



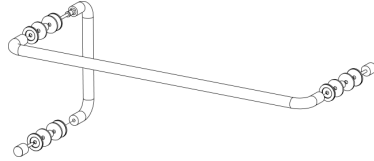
Celesta Wall Mount Hinge



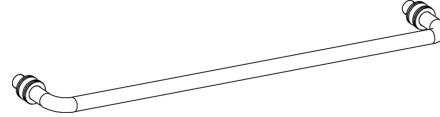
Celesta Glass to Glass Hinge



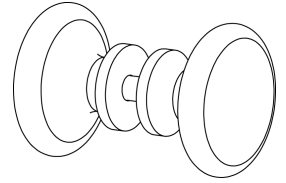
Celesta Wall Clamp



Celesta Combo Towel Bar

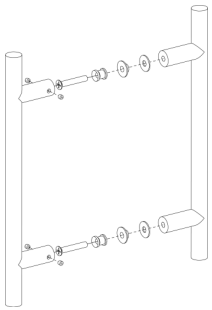


Celesta Towel Bar

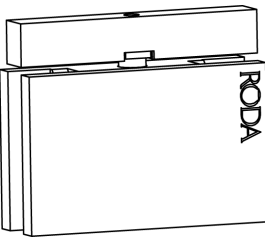
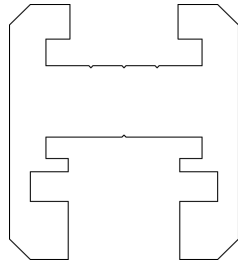


Celesta Knob

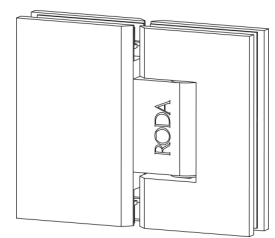
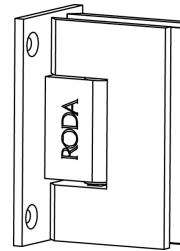
## DRESDEN



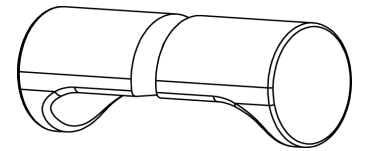
Dresden Wall Clamp



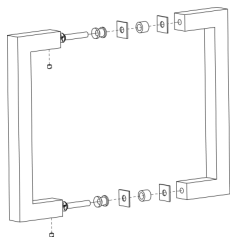
Dresden Towel Bar



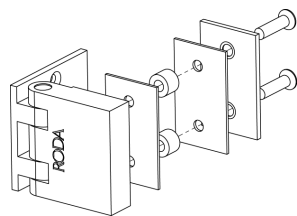
Dresden Knob



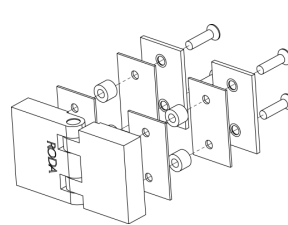
## GEOLUX



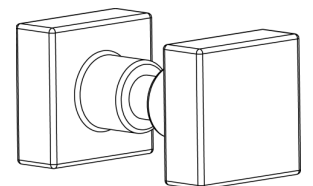
Geolux Pull



Geolux Wall Mount Hinge



Geolux Glass to Glass Hinge

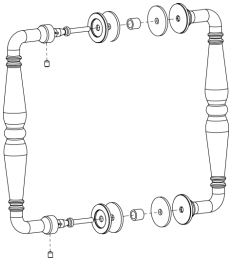


Geolux Knob

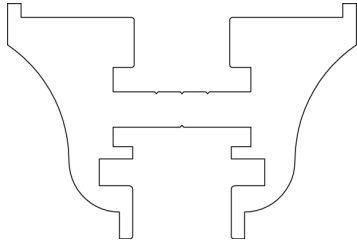


Geolux Towel Bar

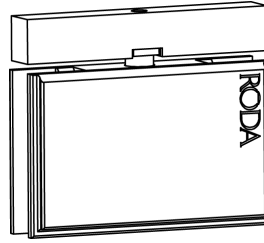
# TRESOR



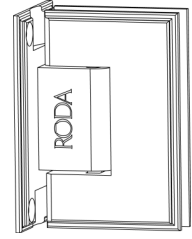
Tresor Pull



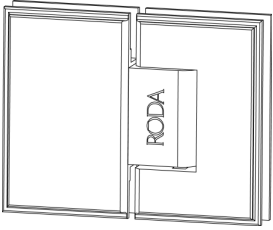
Tresor Header



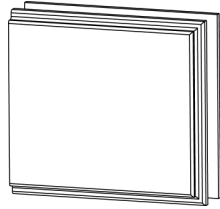
Tresor Pivot Hinge



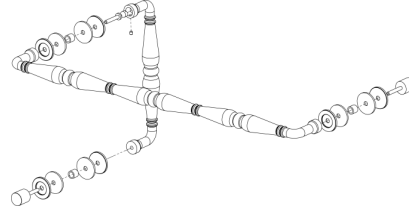
Tresor Wall Mount Hinge



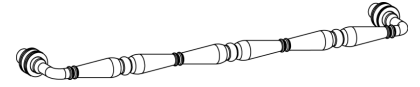
Tresor Glass to Glass Hinge



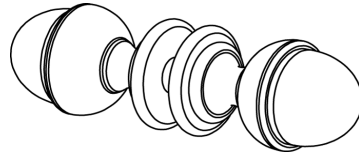
Tresor Wall Clamp



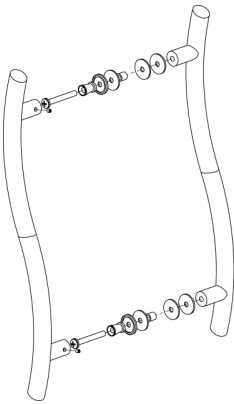
Tresor Combo Towel Bar



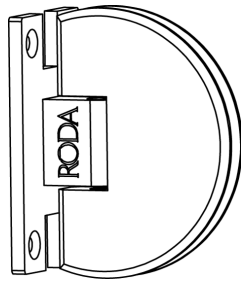
Tresor Towel Bar



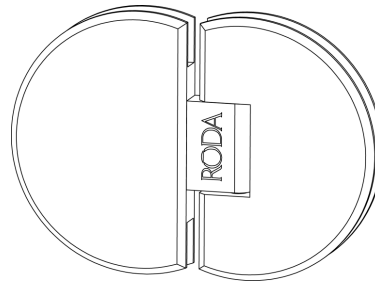
Tresor Knob



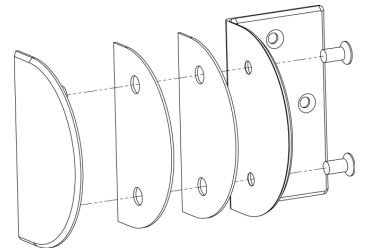
Vonse Pull



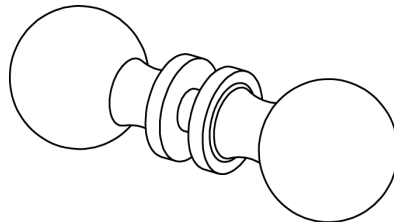
Vonse Wall Mount Hinge



Vonse Glass to Glass Hinge



Vonse Wall Clamp



Vonse Knob